

SunPZone Current USA Stocked Linkable Linear Strip Light Fixture: 4ft 38W

Specifications & Descriptions

Application	Supermarket, Workshop, Warehouse, Office, Retail Store, Grocery etc.
Wattage	38W
Length	4FT
CCT	5000K
Input Voltage	100-277Vac
IP Rating	IP20
Dimming	Non-dimmable
PC Cover	Milky
End Cap	Clear
Max Linkable Watt	600W

Linkable Ways

Linked by plug-and-play 3-wire linkable cord with male & female ends:
there is distance between every two fixtures

The linkable connection is plug-and-play, and linked externally, so it's very convenient and can help to save working time.

Linked by plug-and-play 3-wire butt connector with male & female ends:
there is no distance between fixtures, and no dark area in the connection area

3-wire refers to the Naught Line, Live Line and Ground Line

Length of Linkable Cord about 0.8ft



Linkable Connection Photos
(detailed connection steps can be checked in our specification sheet)

Linkable cord connection



Butt connector for seamless connection



DETAILS



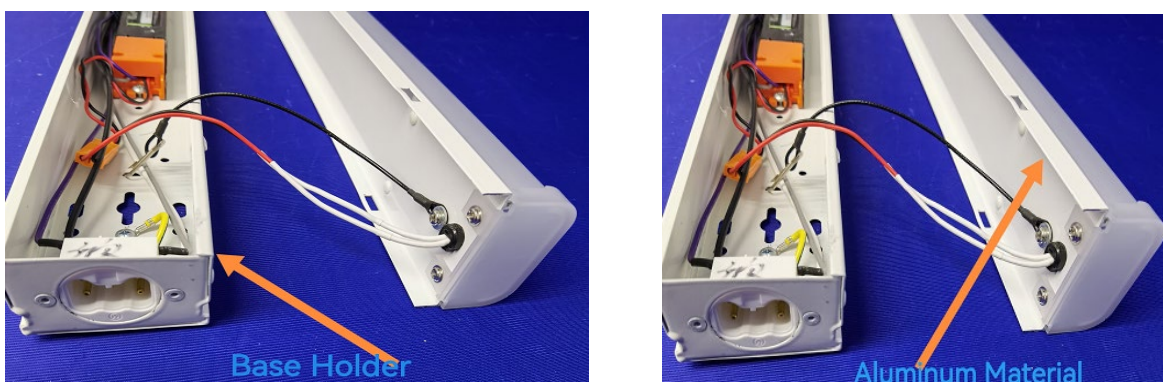
If you do not need the linkable connection, just put the plastic cap back on the ends of the fixture

When making connection, make sure the M end and F ends are matched correctly, otherwise the fixtures can not be connected together.

Remarks

There are M and F letters marked on both two ends of the linkable cord and connector, so as to distinguish the M end and F end quickly and avoid mistake.

Base Holder & Aluminum Material



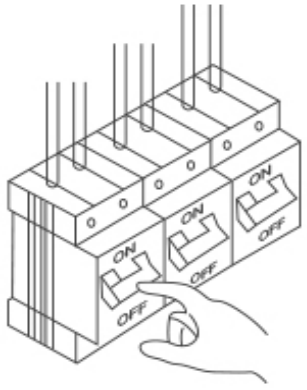
The base holder and aluminum material board can be detachable, so it is convenient to open up for checking or maintenance. Some suppliers do not use the aluminum material, but using the cold rolled steel, so the heat dissipation will be inferior.

Installation

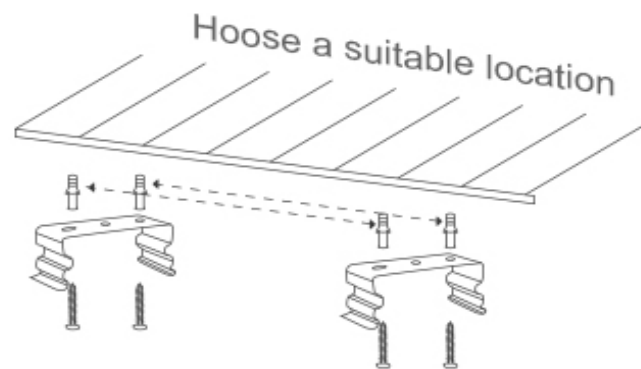
Surface Mounting: installation steps check page 2 in this file

Installation Steps

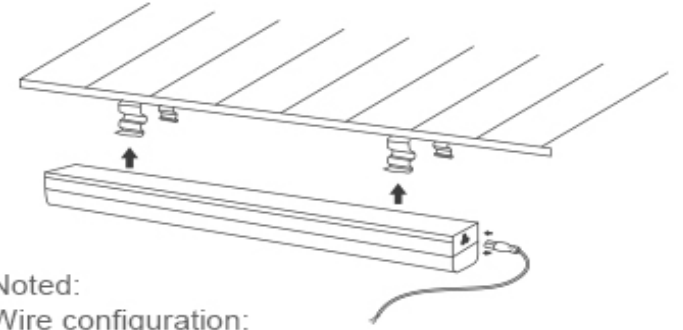
1. Turn off the power



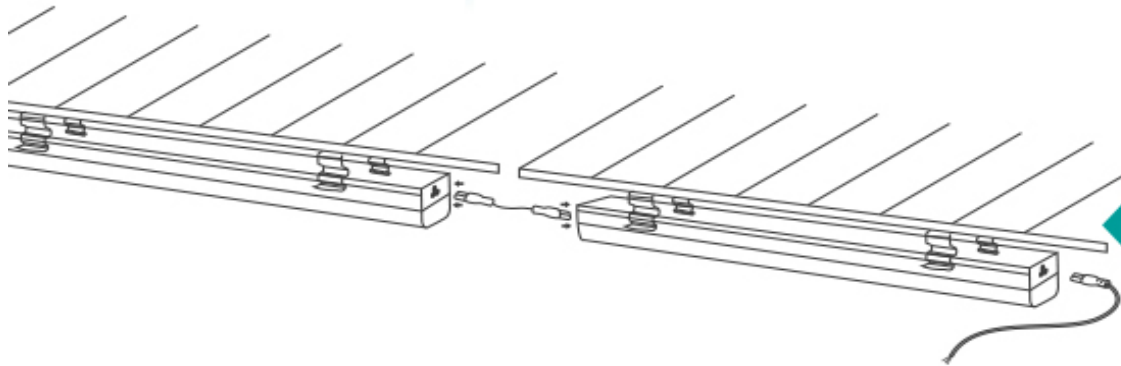
2. Use a power drill to fasten the screws and mounting clips to the wall or ceiling



3. Mounting clips that snap the LED lights to the wall connect the AC cable



Noted:
Wire configuration:
White: Neutral /
Black: Line Voltage /
Yellow-Green: Ground /



Connect the second led ceiling light

Repeat steps for each fixture length or connect additional fixtures using supplied butt connector or jumper cable.